

CARGO TRUCKS

URAL NEXT



URAL

URAL NEXT DUMP TRUCK



RELIABILITY

- Updated driveline with service life and reliability enhanced by 50%
- Pneumatic brake system with WABCO components
- High resistance to corrosion



CROSS-COUNTRY ABILITY

- Engine power up to 312 h.p.
- Differentials locking
- Central tire pressure control system



COMFORT

- New NEXT bonnet-type cab
- Air-sprung driver's seat
- Heat and noise insulation
- Optimal internal environment



GUARANTEE & SERVICE

- 24-month or 100,000 km guarantee
- 15,000 service-to-service interval



SAFETY

- Bonnet-type cab layout improving driver's safety
- RBL steering



COST EFFICIENCY

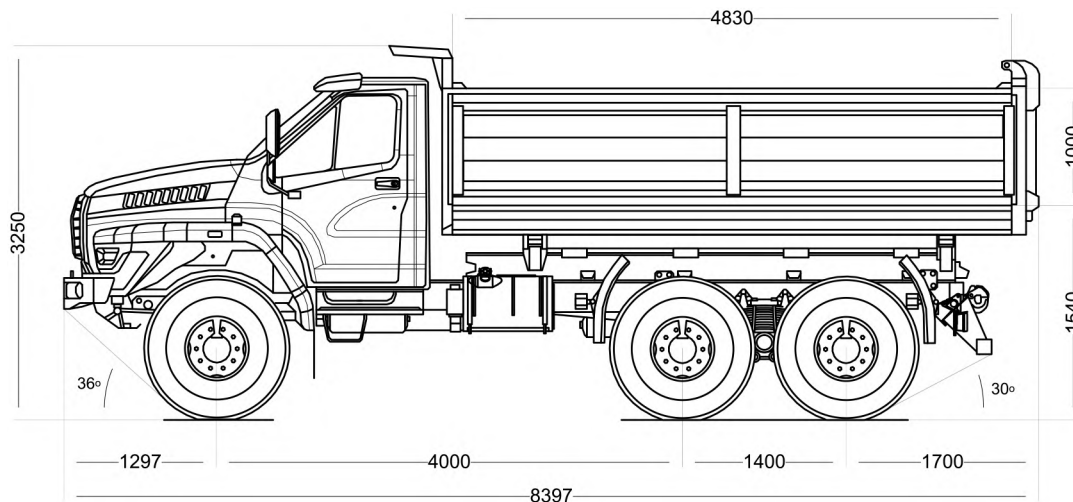
- Competitive price among similar vehicles
- Low cost of ownership

TECHNICAL DATA

URAL NEXT DUMP TRUCK WITH THREE-SIDE DISCHARGING ON URAL-5557-6121-74 CHASSIS

The URAL dump truck is intended for transportation of coal as well as various bulk construction and industrial cargoes on all kinds of roads.

Wheel arrangement	6x6
Max. travelling speed, km/h	85
Fordable depth, m	0.7
Rear cab wall-to-rear side member end distance (chassis frame length for mounting equipment), mm	4863
Engine	Model - YAMZ-53602.10 with compression ignition, in-line, emission class 4 / YAMZ-53642 with compression ignition, in-line, emission class 4 (UN ECE Regulation no. 96-02)
Rated power, h.p.	312 / 285
Maximum engine speed, min ⁻¹	2300
Maximum torque, kgf·m	125 / 115
Engine speed at maximum torque, min ⁻¹	1300...1600
Gearbox	Model -ZF 9S1310TO, Type - mechanical, 9-speed /
Transfer box	YAMZ-1105, "Automobile plant "URAL" JSC, 2-speed, with inter-axle differential (high-gear - 1.04, low gear - 2.15)
Cab	Type - bonnet-type, three-seat, two-door
Driving axles	"Automobile plant "URAL" JSC, axle ratio 7.49
Fuel tanks capacity, l	210 + 180
Wheels and tires	Tires - 425 / 85 R21 model O-184 or KAMA-1260, wheels - 533-310
Dumping body volume m ³	10-13
Discharge direction	Two sides and backward
Body tilting device	Hydraulic, telescopic cylinder
Internal dimensions of dumping body:	
Length, mm	4830
Side height, mm	1000
Overall dimensions, mm	
Length	8397
width	2550
Height	3250
Overall dimensions, mm	
Length	8397



Exclusively Distributed by:



Cebu: 71 Juan Luna Ave. Kasambagan Mabolo, Cebu City • Telefax: 032.520.2214
 Manila: Parc House 1, Suite 33, 227 EDSA Greenhills, Mandaluyong City 1554 • Telefax: 02.576.8606
 Warehouse: Canaynay Avenue, BF Homes Martinville Subd., Manuyo Dos, Las Piñas, Manila
 Davao: Diversion Highway, Matina Pangí, Talomo Davao City
www.conequip-ph.com • info@conequip-ph.com