

CARGO TRUCKS

URAL NEXT

URAL



URAL NEXT 32552-5013-71 TRUCK



RELIABILITY

- Updated driveline with service life and reliability enhanced by 50%
- Pneumatic brake system with WABCO components
- High resistance to corrosion



CROSS-COUNTRY ABILITY

- Engine power up to 312 h.p.
- Differentials locking
- Central tire pressure control system



COMFORT

- New NEXT bonnet-type cab
- Air-sprung driver's seat
- Heat and noise insulation
- Optimal internal environment



GUARANTEE & SERVICE

- 24-month or 100,000 km guarantee
- 15,000 service-to-service interval



SAFETY

- Bonnet-type cab layout improving driver's safety
- RBL steering



COST EFFICIENCY

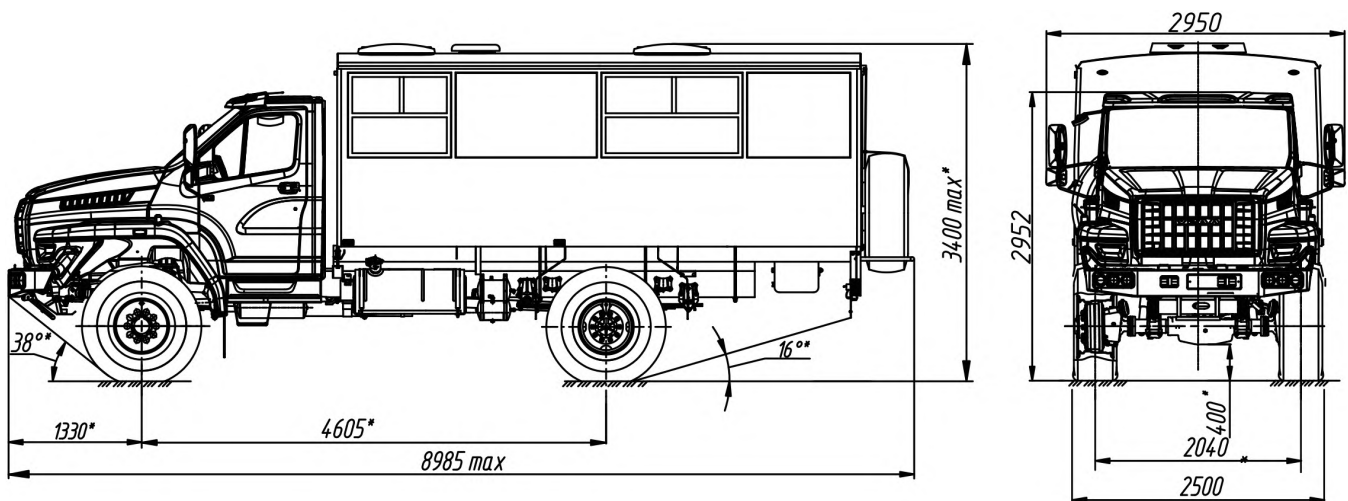
- Competitive price among similar vehicles
- Low cost of ownership

TECHNICAL DATA

URAL NEXT 32552-5013-71 SPECIAL PASSENGER VEHICLE

The special passenger vehicle (shift team bus) is designed for transportation of personnel on 1st-4th-category roads and particular sections of terrain.

Wheel arrangement	4x4
Kerb weight, kg	9550
- on front axle	4070
- on rear bogie	5480
Gross vehicle weight, kg	13300
Permissible G.V.W. distribution, kg:	
- on front axle	5300
- on rear bogie	8000
Max. travelling speed, km/h	85
Engine	Model - YAMZ-53622.10 with compression ignition, in-line, emission class 4 (UN ECE Regulation no. 96-02)
Rated power, (h.p.)	240
Max. engine speed, min ⁻¹	2300
Max. torque, kgf·m	90
Engine speed at max. torque, min ⁻¹	1300...1600
Gearbox	YAMZ-0905, type - mechanical, 5-speed
Transfer box:	"Automobile plant "URAL" JSC, 2-speed, with inter-axle differential
High gear	1.04
Low gear	2.15
Cab	Type - bonnet-type, three-seat, two-door
Driving axles	"Automobile plant "URAL" JSC, axle ratio 6.77
Fuel tank capacity, l	300
Wheels & tires	Tires - 425/85 R21, model O-184 or KAMA-1260 Wheels - 533-310
Overall dimensions (L x W x H), mm	8985 x 2500 x 3400



Exclusively Distributed by:



Cebu: 71 Juan Luna Ave. Kasambagan Mabolo, Cebu City • Telefax: 032.520.2214
 Manila: Parc House 1, Suite 33, 227 EDSA Greenhills, Mandaluyong City 1554 • Telefax: 02.576.8606
 Warehouse: Canaynay Avenue, BF Homes Martinville Subd., Manuyo Dos, Las Piñas, Manila
 Davao: Diversion Highway, Matina Pangsi, Talomo Davao City
www.conequip-ph.com • info@conequip-ph.com