

SD16

BUILDOR

Engine model: Shangchai C6121ZG70B/Steyr WD10G175E15

Rated power: 120 kw (160 HP)

Operating weight: 17 t



SHANTUI

(Model shown) May Include optional equipments

SD16



SPECIFICATION

Specification	Blade type		
	Straight-tilt	Angle	U-Blade
Min.ground clearance(mm)	400	400	400
Ground pressure(MPa)	0.067	0.067	0.067
Min.turning radius(m)	4.7	4.5	4.9
Gradeability(°)	30	30	30
Track gauge(mm)	1880	1880	1880



ENGINE

Model Shangchai C6121ZG70B/Steyr WD10G175E15
 Water cooled,in-line,4-stroke injection direct
 Rated horsepower(Kw) 120
 Cylinder number-bore X stroke(mm) 6-126 X 130
 Piston displacement(L) 9.726
 Min.fuel consumption(g/Kw.h) 214
 Max.torque(N.M) 764



POWER TRANSMISSION SYSTEM

Torque Converter 3-element,1 stage,1phase
 Transmission Planetary gear type,power-shift,forced lubrication
 Main Drive Spiral bevel gear,single-stage speed reduction
 dplsdh luntvisyon.
 Steering Clutch Wet,multi-disc,spring loaded,
 hand hydraulically separated, inter-linking with steering brake.
 Steering Brake Wet,floating band structure,
 foot brake with hydraulic booster
 Final drive Tow-stage speed reduction of spur gear,
 splash lubrication



TRAVEL SPEED

Gear	1st	2nd	3rd
Forward(km)	0-3.29	0-5.28	0-9.63
Reverse(km)	0-4.28	0-7.59	0-12.53



UNDERCARRIAGE SYSTEM

Type Sprayed beam,
 suspended structure of equalizer
 Carrier rollers(each side) 2
 Track rollers(each side) 6
 Track type Assembled,single-grouser
 Width of track shoes(mm) 510
 Pitch(mm) 203.2



HYDRAULIC SYSTEM

Max.pressure(MPa) 14
 Pump type Gear pump
 Discharge(L/min) 243
 Bore of working cylinder(mm) X NO. ø110 X 2



BLADE

Specification	Blade type		
	Straight-tilt	Angle	U-Blade
Dozing capacity(m ³)	4.5	4.4	5.0
Efficiency(m ³ /H)(Theoretical value 40m)	225	225	250
Blade width(mm)	3388	3970	3556
Blade height(mm)	1149	1090	1120
Max.drop below ground (mm)	540	540	530
Max.tilt adjustment(mm)	400	-	400



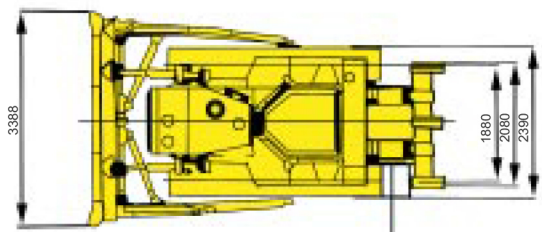
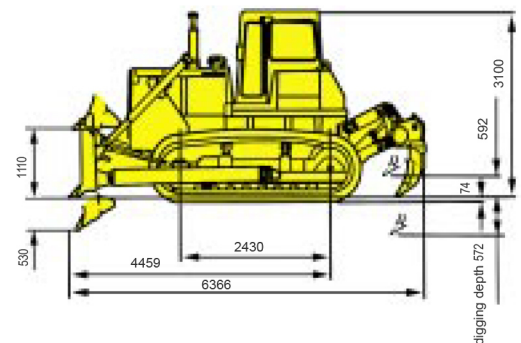
RIPPER(OPTIONAL)

Max.digging depth of 3-Shank Ripper(mm) 572
 Max.lift above ground(mm) 592
 Weight of 3-Shank Ripper(kg) 1710



OVERALL DIMENSIONS

Straight-tilt blade



Note:Materials and specifications are subject to change without notice.